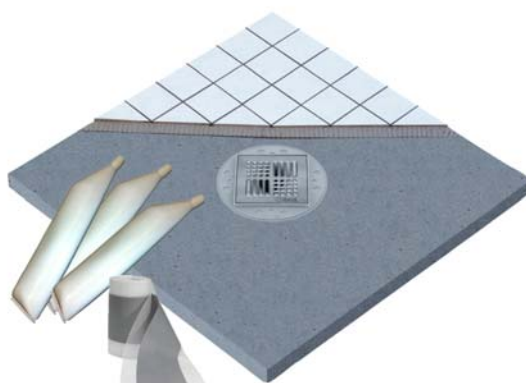


Issued - 17 October 2011

MAINSTREAM F50 Wet Room Kits

MAINSTREAM F50 is all-in-one package used to assemble a wet-room shower & waterproof kit. Light, quick & easy to install (can be easily used by DIY customer), these high quality shower bases come with pre-formed gradients, a horizontal waste / trap kit, stainless steel grating & a factory waterproofing system. The tray is designed to be tiled over, has excellent flow capacity & looks gorgeous when installed

E&OE



PRODUCT CHARACTERISTICS

- Hard compressed polymer shower base c/w flat underside, flat gradients at maximum of 2.5% leading to outlet with a factory fit collar built into the tray to suit the waste kit
- Factory fitted waterproof coating onto top & surrounding edge surfaces
- Self supporting waste & trap assembly with horizontal outlet pipe (DN 50)
- Complete with waterproofing Install Kit, to seal tray into floor & walls, & secure against leaks
- Stainless steel outlet grate with free floating retaining ring. (lateral & rotational adjustment)
- Very easy to trim, allowing adjustments according to site conditions

APPLICATIONS

MAINSTREAM F50 kits are suitable to build the shower floor area & waterproof a wet room type bathroom easily. A simple screw through trap system makes assembly simple, & when fully supported the tray suits:

- En-Suites : small bathrooms where space efficiency is at a premium
- High End Designer Bathrooms : large sizes add to the feeling of space within a shower area
- Refurbishments & New Build : perfect all inclusive easy to install kit
- Floor Structures : designed for concrete floors; can be used on timber suspended joists

TECHNICAL DATA

- Size – Overall Plan (mm) : 900x900, 1000x1000, 1200x900, 1200x1200, 1300x900, 1400x900
- Profile : 45 to 50mm, dependant on tray size. Overall incl. Trap 115-120mm
- Gradient : Maximum of 2.5%, dependant upon point of measurement
- Waste : Central, unless otherwise stated
- Foul Air Trap : DN 50mm (Supplied with UK ABS Converter)
- Installation Kit : Included. Extra AquaeSEAL™ upgrade available

TECHNICAL DATA - MATERIAL

- Shower Base : Moulded HardCore™ - High Pressure / Temperature Polymer
- Waterproof Coating : Synthetic polymer dispersion membrane
- Grating : Pressed 304 grade brushed s/steel polymer moulded retaining ring
- Waste & Trap : PP Moulding to suit 50mm Pipe; DN 50mm > 2" BS ABS Converter

CAPACITY

- Waste & Fault Air Trap : Single outlet Horizontal (Max of 42 litres/minute)
: Single outlet Vertical (Max of 60 litres/minute-Optional)

Issued - 17 October 2011

DISPOSAL

- Packaging should be disposed of according to local bylaws

INSTALLATION INSTRUCTIONS

- Separate Sheet : Included in Package

PACKAGING

- Cardboard Box(es) : to suit Shower Base, and containing all ancillaries

CONTENTS

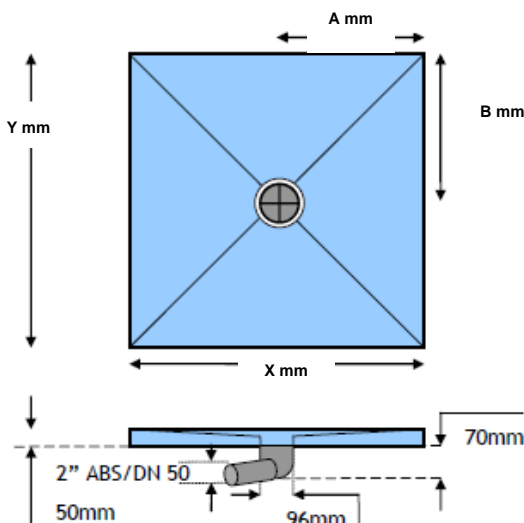
- Shower Base
- Waste & Trap – Horizontal (Vertical on Demand)
- Stainless Steel Grating & Support Frame
- Adaptor for waste & trap to suit UK ABS 2" Solvent weld waste pipe
- Waterproofing Kit, to seal tray system into surrounding structures (Joint Tape & Sealant in Tubes)
- Installation Instructions

SPECIFICATION CLAUSE: The specification should read:

Bathroom Engineering[™] MAINSTREAM 50 Wet Room Shower Kit, c/w a 50mm horizontal waste & trap system with a minimum 42ltr/min capacity, floating retaining ring, matching grate, waterproof installation kit

Range	Size	ART No.
MAINSTREAM F50	All inclusive wet-room shower kit c/w tray, waterproofing & gully - 900x900mm	099 00090
MAINSTREAM F50	All inclusive wet-room shower kit c/w tray, waterproofing & gully - 1000x1000mm	099 00091
MAINSTREAM F50	All inclusive wet-room shower kit c/w tray, waterproofing & gully - 1200x900mm	099 00092
MAINSTREAM F50	All inclusive wet-room shower kit c/w tray, waterproofing & gully - 1200x1200mm	099 00093
MAINSTREAM F50	All inclusive wet-room shower kit c/w tray, waterproofing & gully - 1300x900mm	099 00094
MAINSTREAM F50	All inclusive wet-room shower kit c/w tray, waterproofing & gully - 1400x900mm	099 00095
AquaeSEAL [™]	Additional Waterproofing Upgrade for MAINSTREAM F50 – Extra 5m ² , UNO	099 00074
AquaeSEAL [™]	Additional Waterproofing Upgrade for MAINSTREAM F50 – Extra 10m ² , MEDIO	099 00075

Art. Nr.	A	B	X	Y
099 00090	450mm	450mm	900mm	900mm
099 00091	500mm	500mm	1000mm	1000mm
099 00092	600mm	450mm	1200mm	900mm
099 00093	600mm	600mm	1200mm	1200mm
099 00094	650mm	450mm	1300mm	900mm
099 00095	700mm	450mm	1400mm	900mm



E&OE
 We reserve the right to alter & amend specifications without prior notice
 This is not a specification document & does not guarantee performance
 © Bathroom Engineering[™] October 11