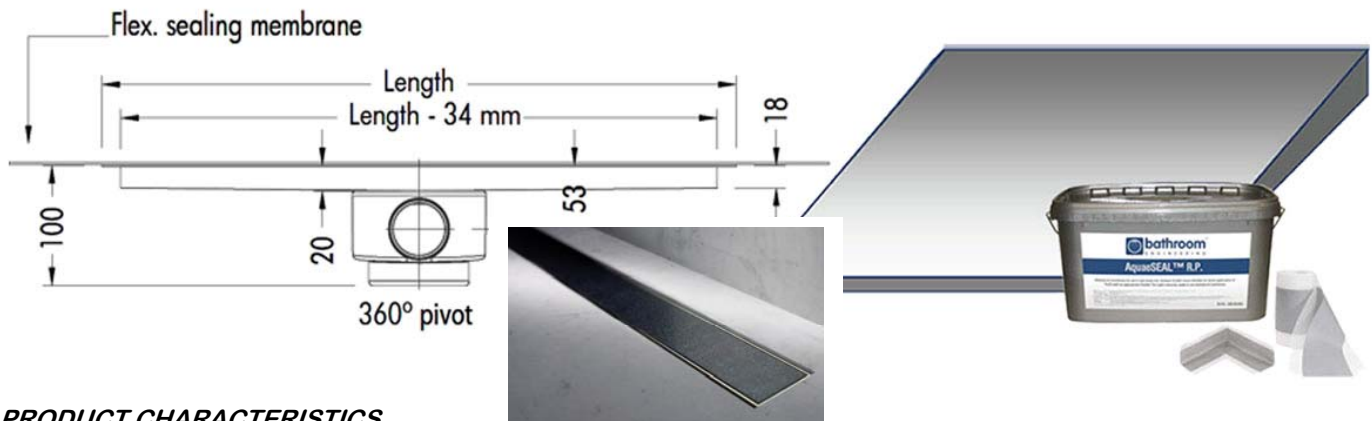


Issued - 18 November 2011

MAINSTREAM™ PURE TILE

Universal lightweight floor module, waterproofing system & linear shower channel made to construct a complete wet room shower. Waterproofing comes as a separate kit, while the shower tray is pre-coated with a 'polycement' waterproof finish at the factory. The floor modules are used instead of levelling compounds to build gradients quickly to a consistent level, helping channel water towards the linear shower floor drain.

E&OE



PRODUCT CHARACTERISTICS

A comprehensive kit combines popular sizes of PURE Tile floor drain, eForm 22 floor modules & enough waterproofing membrane required to build a wet room shower with a linear floor drain and waterproof it. The kit includes following elements that together result in a high quality shower structure that is ready to tile:

1. Your choice from 4x floor drains from the PURE Tile range, with a removable grate, & foul air trap. Grate is height adjustable & is designed to accept the tile / natural stone insert of your choice
2. A shower floor module (eForm22™) with a flat gradient along the upper side, that can be cut & trimmed to suit site conditions & the floor gully supplied. To be fully supported & fitted into a sub-floor recess, the module cuts time by creating a consistent gradient at the right angle
3. Brush or Roller applied synthetic polymer waterproofing membrane, creates a barrier protecting wall & floor from water damage, sealing gaps found between floor or wall materials.

Individual instructions for each component are included, to simplify the installation process

APPLICATIONS

With a MAINSTREAM™ PURE Tile kit, you can build the key structure for a wet room shower floor, waterproof & seal it so it's prepared for a tiled floor to be laid. Suits:

- En-suites & Designer Bathrooms : When linear floor gully's are needed to minimalise tile cuts
- Refurbishments & New Build projects : All project types
- Floor & Wall Structures : Universal - all floor structures, but best for timber over joist floors

TECHNICAL DATA - LINEAR GULLY

- Material : 304 high quality stainless steel, ABS trap
- Size Channel, Standard : 600, 800, 900, 1000mm
- Visible Size : 34mm shorter than stated size e.g. 600 is 566 mm visible
- Gully Profile : 18mm Cross Section, to suit common UK floor structures
- Waste & Foul Air Trap : Outlet DN 50mm, EN1253-2, with BS2" connection
- Waterproofing : Factory fit sealing collar to support flange
- Suitable Floor Covering : Natural Stone or Tile up to 12mm thick

TECHNICAL DATA - WATERPROOFING

- Material (Membrane) : Elastic & synthetic polymer resin-like gel
- Material (Joint Tape Accessories) : Polyester mesh, centrally impregnated with Polymer Elastomer
- Size (Main Membrane) : 7 k.g. Tub
- Size (Joint Tape Accessories) : Internal Corner & 120mm wide Joint Tape, 7.5m long
- Temperature Stability : +6C° / +70C° (Frost Free location when in storage)
- Kit Coverage : Minimum 5m², dependent on thickness of coating
- Application : Fix accessory into initial gel bed, dry, recoat by roller or brush

Issued - 18 November 2011

TECHNICAL DATA - SHOWER TRAY

- Shower Tray - Material : Min. 60 grams/litre high pressure & temp. pressed EPS
- Size – Overall Width : 1000 x 1000, to be trimmed on site
- Profile (Cross Section) : 8/22mm tray module
- Gradient : 1.4% leading towards one side
- Coating : Mineral poly cement, with 5mm polymer reinforcing mesh
- Tile Size (suggested) : Generally min. 100 x 100mm, smaller with care / re-enforcement
- Fixing : Common cementitious (powder) tile adhesive, or sand / cement

DISPOSAL

- Packaging should be disposed of according to local bylaws.

INSTALLATION INSTRUCTIONS

- Separate Sheet : Included with individual packages

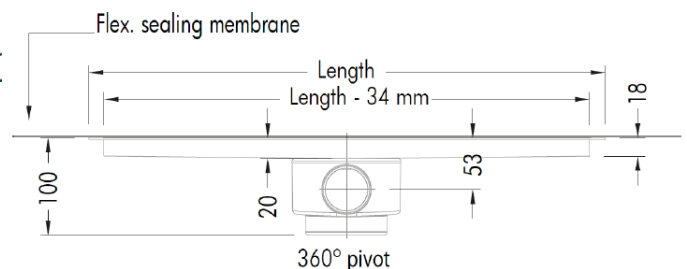
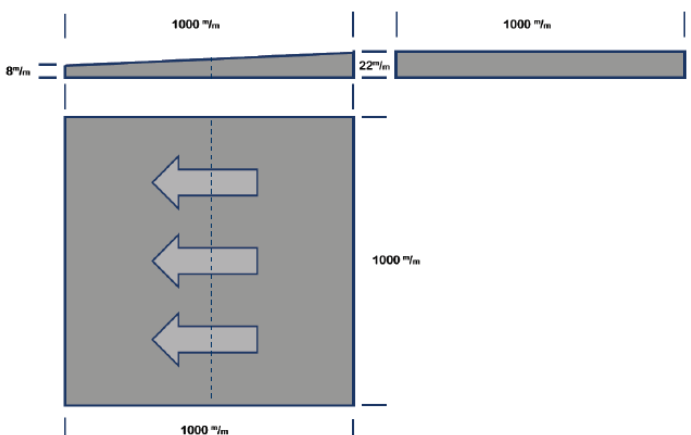
PACKAGING

- Floor module : Cardboard box
- Waterproofing : Wrapped, loose
- Floor Gully Drain : Cardboard box

CONTENTS

- PURE Tile Shower Gully, Grate, & Trap Horizontal DN 50mm Outlet rotates 360 degree
 - Waterproof Sealing Gasket – fitted on all four sides to flanges
 - Installation Feet (concrete floors), & Earthing Tag
- eForm22[™] shower floor module to suit length of floor drain
- AquaeSEAL UNO waterproof membrane tanking kit
- OPTIONAL EXTRA - eForm22[™] extension module levels exposed edges in 2x wall design – See Data Sheet

Range	Size	ART No.
MAINSTREAM PURE Tile	Pre-formed Shower module size 1000mm x 1000mm UNO Waterproofing kit, PURE Tile Floor Gully 600mm	099.00080
MAINSTREAM PURE Tile	Pre-formed Shower module size 1000mm x 1000mm UNO Waterproofing kit, PURE Tile Floor Gully 800mm	099.00081
MAINSTREAM PURE Tile	Pre-formed Shower module size 1000mm x 1000mm UNO Waterproofing kit, PURE Tile Floor Gully 900mm	099.00082
MAINSTREAM PURE Tile	Pre-formed Shower module size 1000mm x 1000mm UNO Waterproofing kit, PURE Tile Floor Gully 1000mm	099.00083
AquaeSEAL [™]	EXTRA UNO Waterproofing Kit – 5Sq.M (optional Extra)	099.00074
eForm22 [™]	Model V Extension Module (optional Extra)	005.00174



E&OE
 We reserve the right to alter & amend specifications without prior notice
 This is not a specification document & does not guarantee performance
 © Bathroom Engineering[™] November 11