

Issued - 17 October 2011

### PURE TILE - Linear Shower Channel

Specially designed to embed tiles into a height adjustable grate, PURE TILE is a unique stainless steel shower gully for all floor structures. This flexible shower drain is very easy to install & offers premium quality waterproofing protection fitted at the factory. Good flow rate ensures that PURE TILE suits the majority of showers installations.



#### PRODUCT CHARACTERISTICS

- Linear shower channel grate can be embedded with customer selected tiles & can be adjusted to match surrounding tile thickness.
- Outlet is a simple 'push to fit design' located in the centre, while the waste assembly can be rotated through 360 degrees & offers a foul air trap with a water seal of 50mm
- High Quality 304 Stainless Steel offers reliable resistance to chemical attack
- Surrounding flange helps to support the 18mm deep channel into common floor structures & secures the standard fit waterproof sealing gasket
- Installation Sealing Kit comprising surrounding collar that is included as standard & should be combined with additional waterproofing systems to seal into the floor structure

#### APPLICATIONS

'PURE Tile' Shower Channel drains are wide collection vessels used within the floor of wet room showers & are offered in various lengths. Suits:

- All Showers – specifically where tiles are inset into grate to produce ultra discrete installation
- En-Suites – small bathrooms where space efficiency is at a premium
- High End Designer Bathrooms – adds to the feeling of space within a bathroom or shower area
- Refurbishments & New Build
- Floor Structures – Concrete, Suspended timber (joist), & other common floor structures

#### TECHNICAL DATA

- Size Channel, Standard : 500, 600, 700, 800, 900, 1000, 1100, 1200mm
- Visible Size : Approx. 34mm shorter than stated size e.g. 500 is 466 mm long visible, when fitted
- Gully Profile : 18mm Cross Section, to suit common UK floor structures
- Waste & Foul Air Trap : Outlet DN 50mm, EN1253-2
- Suitable Floor Covering : Natural Stone or Tile up to 12mm thick
- Installation Sealing Kit : INCLUDED - Waterproof Sealing Gasket fitted to surrounding flanges  
: Optional - AquaeGUARD or AquaeSEAL Waterproof Membranes ~ See Data Sheets  
: Floor gradient max. 1% > 1.5% to be built into the surrounding floors, see e-Form22
- Gradient

#### MATERIAL

- Channel & Grate : 1.5mm thick 304 High quality Stainless Steel
- Trap : ABS, rotates 360°

#### CAPACITY

- Waste & Foul Air Trap : Horizontal outlet (30 > 36 Litres/Min) location dependant

Issued - 17 October 2011

**INSTALLATION INSTRUCTIONS**

- See Separate Sheet : Included in Package

**PACKAGING**

- Cardboard box : to suit Shower Channel

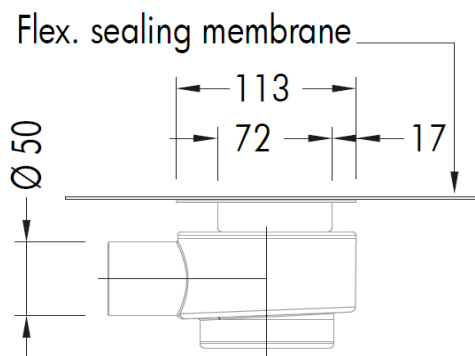
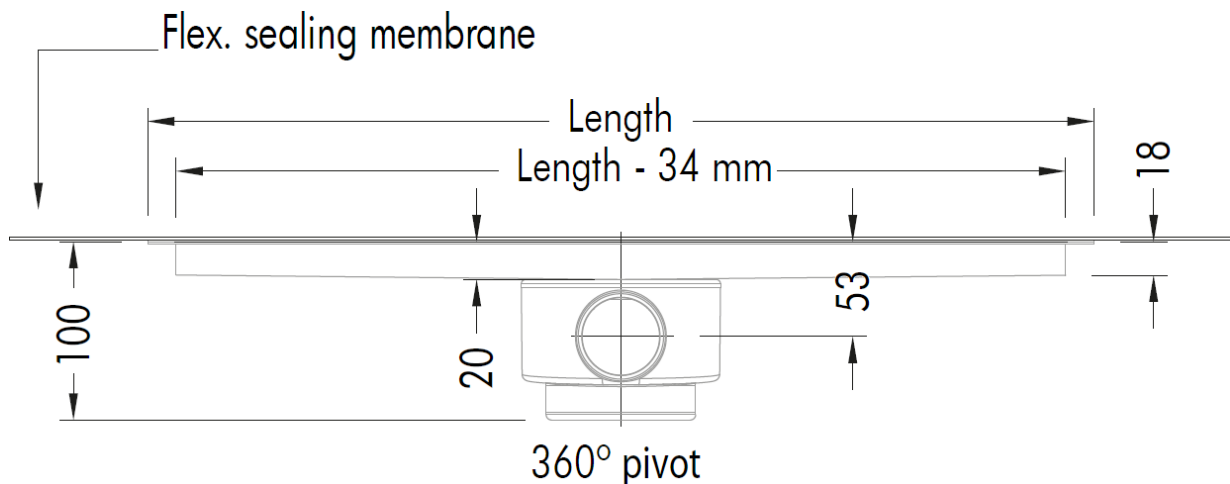
**CONTENTS**

Supplied in Single box:

- Linear Shower Gully with Tile Insert Grate
- Adjustable ABS Trap Housing – Horizontal DN 50mm Outlet
- Waterproof Sealing Gasket – fitted on all four sides to flanges
- Cover Grate with Height adjustable feet
- Installation Feet (concrete floors), & Earthing Tag
- Installation Instructions

**SPECIFICATION – PURE TILE** Linear shower channel in 304 S/Steel & reversible grate with tile insert option, trap with 360 degree outlet rotation accessed by removable & height adjustable grate.

Range	Size	ART No.
PURE TILE	Shower Channel Drain & Adjustable Grate & Trap 500mm	008.00480
PURE TILE	Shower Channel Drain & Adjustable Grate & Trap 600mm	008.00481
PURE TILE	Shower Channel Drain & Adjustable Grate & Trap 700mm	008.00482
PURE TILE	Shower Channel Drain & Adjustable Grate & Trap 800mm	008.00483
PURE TILE	Shower Channel Drain & Adjustable Grate & Trap 900mm	008.00484
PURE TILE	Shower Channel Drain & Adjustable Grate & Trap 1000mm	008.00485
PURE TILE	Shower Channel Drain & Adjustable Grate & Trap 1100mm	008.00486
PURE TILE	Shower Channel Drain & Adjustable Grate & Trap 1200mm	008.00487



E&amp;OE

 We reserve the right to alter & amend specifications without prior notice  
 This is not a specification document & does not guarantee performance  
 © Bathroom Engineering<sup>™</sup> October 11