

Revised - 27 June 2011

### Form 22 Range

Robust, Low Profile & Designed for fitting onto wooden floors, these 22mm thick GRP wet room shower bases replace part of the floor, creating a gradient leading to a waste outlet. Available in different sizes, with options to suit pumped wastes or commercial floor finishes like vinyl. **E&OE**



#### PRODUCT CHARACTERISTICS

- GRP based hard Shower Base c/w Flat Underside, 17mm Gradients leading to Outlet with Factory Fit Collar to suit Waste Kit for Tiles (Vinyl to Order)
- Self Supporting Waste & Trap Assembly with Horizontal outlet pipe (Vertical avail to order)
- Stainless Steel Outlet Grate with Height Adjustment
- Installation Sealing Kit comprising Joint Sealing Tape & Waterproofing Sealant

#### APPLICATIONS

Form 22 kits are suitable to construct the shower area floor structure of a wet room type bathroom. Suits:

- En-Suites : small bathrooms where space efficiency is at a premium
- High End Designer Bathrooms : large sizes add to the feeling of space within a shower area
- Wheelchair & Special Needs : bathrooms where access is an essential design element
- Refurbishments & New Build
- Floor Structures : designed for Board over Wooden Joist

#### TECHNICAL DATA – DIMENSIONS & SIZE

800 x 800	900 x 900	1000 x 1000
1200 x 1200	1300 x 800	1400 x 900
1500 x 800	1700 x 1700	1850 x 900
1700 x 750	1700 x 850	

- Profile : Low Profile 22mm
- Gradient : 17mm generally, dependant upon point of measurement
- Waste & Trap : DN 50mm (Supplied with UK ABS Converter)
- Waterproofing Kit : AquaeSEAL – UNO<sup>2</sup> (5m<sup>2</sup>) or MEDIO<sup>2</sup> (10m<sup>2</sup>) – See Data Sheet  
 (Optional Extra) : TILEsafe – 5m<sup>2</sup> or 10m<sup>2</sup> – See Data Sheet  
 : Other Systems – Contact us to confirm suitability

#### TECHNICAL DATA – MATERIAL

- Shower Base : 22mm Thick, with a 17mm Gradient leading to the Outlet
- Grating : 5mm thick 304 Stainless Steel Plate
- Grating : Height Adjustment, 6mm to 26mm for ceramic tiles
- Waste & Trap : ABS Solvent Weld 126mm Deep, designed for tiles
- Outlet Location (Size Dependant) : Central or Off-set
- The 17mm Gradient : Runs in all directions across the length or width of the base
- Thickness at the outer edge : 22mm (same as many modern chipboard floors)
- Weight Loading : Support in excess of 250kg

Revised - 27 June 2011

### TECHNICAL DATA – OPTIONS

- Grating for Vinyl Floors (Normally Commercial, Industrial & Institutional Projects)
- Pumped Drainage (when gravity drainage isn't available)
- Waterproofing (See below)
- Undertile Heating (contact us for further info)

### CAPACITY

- Waste & Trap : Horizontal (max 22Ltrs/Min). Call to confirm latest Specification

### DISPOSAL

- Packaging : To be disposed of according to local bylaws.

### INSTALLATION INSTRUCTIONS

- Separate Sheet : Included in Package

### PACKAGING

- Base : Protective Corners & Shrunken Polywrap
- Waste & Trap : Cardboard Box to suit all ancillaries

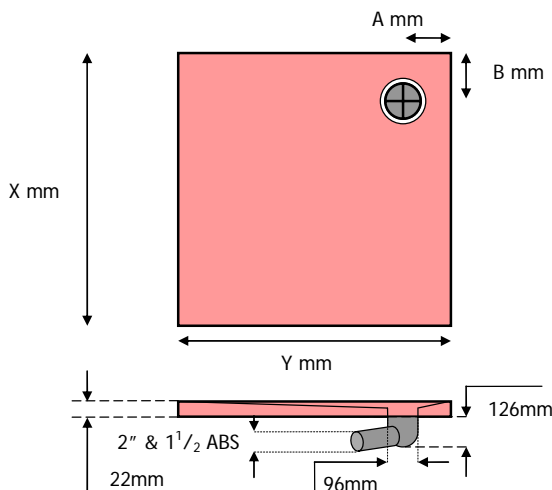
### CONTENTS

Supplied in 2x BOXES (product Dependant)

- Shower Base
- Waste & Trap – Horizontal / Vertical
- Stainless Steel Grating
- Installation Instructions

Range	Size	ART No.
Form 22	800 x 800, OFF-SET Outlet, Horiz Waste, Install Kit	009.00100
Form 22	900 x 900 OFF-SET Outlet, Horiz +Vert Waste, Install Kit	009.00101
Form 22	1000 x 1000 OFF-SET Outlet, Horiz +Vert Waste, Install Kit	009.00102
Form 22	1200 x 1200 OFF-SET I Outlet, Horiz +Vert Waste, Install Kit	009.00103
Form 22	1300 x 800 OFF-SET Outlet, Horiz +Vert Waste, Install Kit	009.00104
Form 22	1400 x 900 OFF-SET Outlet, Horiz +Vert Waste, Install Kit	009.00105
Form 22	1500 x 800 OFF-SET Outlet, Horiz +Vert Waste, Install Kit	009.00106
Form 22	1700 x 1700 OFF-SET Outlet, Horiz Waste, Install Kit	009.00107
Form 22	1850 x 900 OFF-SET Outlet, Horiz Waste, Install Kit	009.00108
Form 22	1700 x 750 OFF-SET Outlet, Horiz Waste, Install Kit	009.00109
Form 22	1700 x 850 OFF-SET Outlet, Horiz Waste, Install Kit	009.00110

Bathroom Engineering<sup>TM</sup> - Art Nr. xxx.xxxxx  
 Indicative Drawing - OFF-Set Waste  
NOT TO SCALE



### Image / Drawing – See Individual Products

X	x	Y	A	B
800	x	800	175mm	175mm
900	x	900	175mm	175mm
1000	x	1000	320mm	320mm
1200	x	1200	320mm	600mm
1300	x	800	320mm	650mm
1400	x	900	320mm	700mm
1500	x	800	320mm	650mm
1700	x	1700	320mm	600mm
1850	x	900	320mm	925mm
1700	x	750	320mm	740mm
1700	x	850	320mm	740mm

E&OE  
 We reserve the right to alter & amend specifications without prior notice  
 This is not a specification document & does not guarantee performance  
 © Bathroom Engineering<sup>TM</sup> May 09