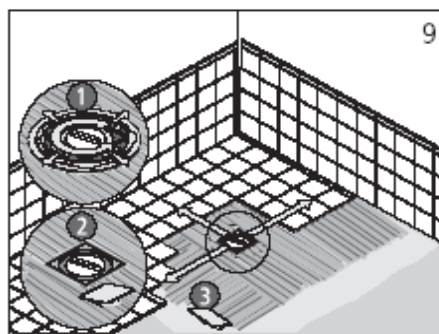
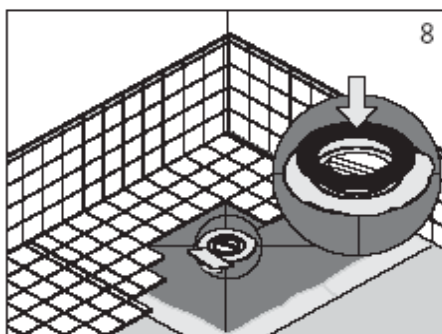
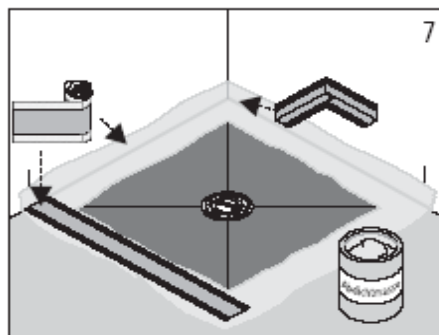
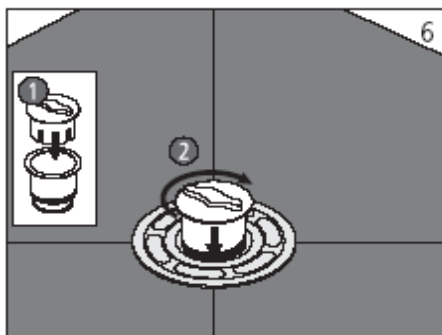
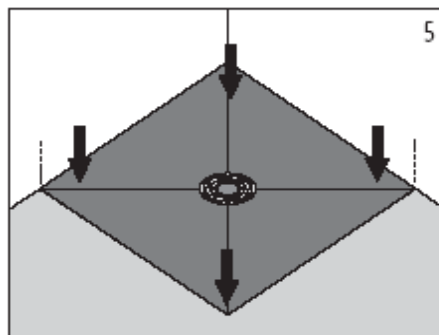
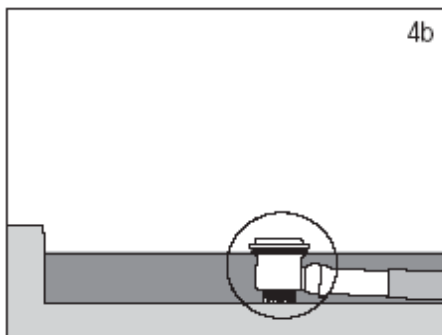
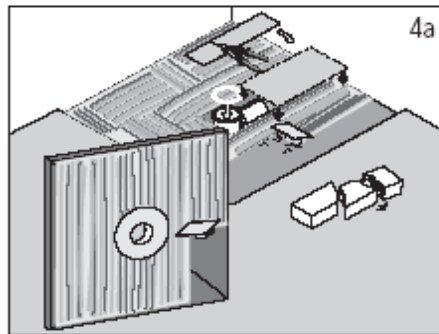
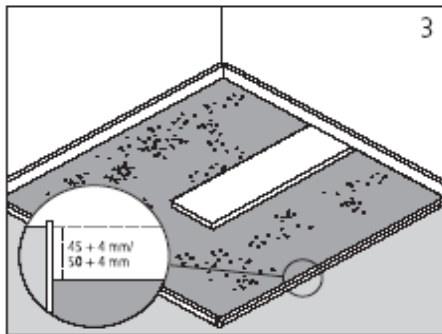
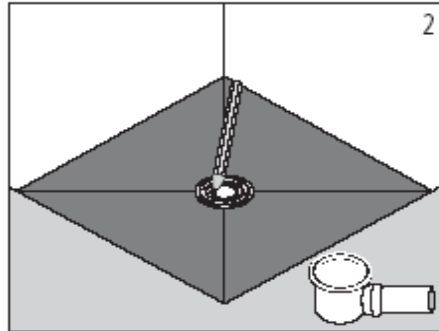
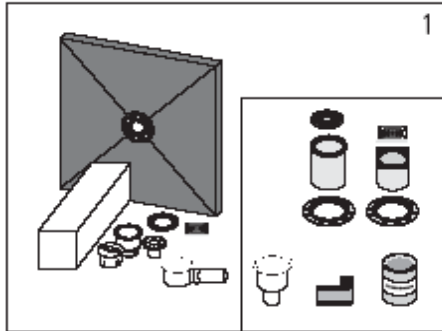


Form 50™ - Installation Instructions



Mounting

1. Delivery scope: floor-level shower element, drainage fitting with stainless steel grating with horizontal or vertical drain, adjustable drain grating frame and formwork element for the pipe system

Important: Under the prerequisite that the processed edges of the illbruck BF shower element are resealed with sealant, the processor can shorten the illbruck BF shower element by 5 cm on all sides. This, however, does not apply to the wheelchair-accessible variant of the illbruck BF shower element.

Accessories (not included): safety sealing tape, sealant, inside or outside corners, zinc-coated steel plating to be provided on site, metal shears, foundation elements and drain extension elements

2. Mounting procedure: Position the shower element and mark the position of the drainage pot. Remove the shower element again.

3. Lay the edge insulating strips along the side walls of the depression and fill the plaster into the recess of the cast-plaster base to a level of 45 + 4 mm/ 50 + 4 mm below the top edge of the finished floor covering.

4. Apply the flexible tile adhesive across a wide area of the cast-plaster base and on the bottom side of the shower element.

5. Insert, press and align the shower element.

6. Connect the drainage pot to the top part.

7. Seal the areas of transition in the floor and walls using the sealing system.

8. Insert the grating frame into the bed of tile adhesive.

9. The grating frame can be turned and shifted to be adapted to the tile grid and seams.

■ wheelchair-accessible version:
min. tile size: 100 x 100 mm

CONCRETE FLOOR – NEW or REFURBISHMENT