

Revision - 8 September 2011

MultiDUOTM TEGEL - Linear Shower Floor Drain

Made from Marine Grade Stainless Steel, this linear shower gully is designed for CONCRETE floors, and offers very HIGH FLOW capacity due to the fitting of dual traps outlets. With TWIN OUTLETS positioned centrally, and using the high flow rates from the MULTI Trap system, this high quality linear shower channel is easy to install. The special 'tile insert' grate can be filled with floor tile, resulting in a discrete channel shower drain hidden in the floor.

E&OE



PRODUCT CHARACTERISTICS

- Very high quality Marine Grade 316 Stainless Steel offers superior resistance to chemical attack, & is especially suitable for coastal installations
- 2x 'Multi Trap' outlets offset by 100mm either side of the centre of the shower gully, for very high flow rate
- Trap assemblies can be rotated through 360 degrees, & offer 3x trap water seals options of 50, 35 & 30mm
- Removable Stainless Steel grate is reversible offering a flat cover or a 12mm recess to insert matching tiles/stone
- Comes with adjustable Dual Leg Set to effect levelling during installation, & earth tags
- 'Easy Fix Sealing Kit' helps seal the gully into the floor, preventing leaks. See datasheet

APPLICATIONS

MultiDUO TEGEL shower floor gully are wide collection channels used in wet room showers, available in many sizes. Suits:

- 'RAIN' shower systems (built into ceilings) or 'Multi-Head' shower designs that need a very high drain capacity
- High End Designer Bathrooms – Large shower area's that add to the feeling of space within a bathroom
- En-Suites – small bathrooms where space efficiency is at a premium
- Refurbishments & New Build
- Floor Structures – Designed for especially for CONCRETE floors. Although they can fit into Wood over Joist Floor structures, we would recommend the unique TAF MULTI. See Data Sheet for details.

TECHNICAL DATA

- Size Channel : 500, 600, 700, 800, 900, 1000, 1100, 1200, 1300 mm, 1400, 1500, 1600, 1700, 1800, 1900, 2000 mm
- Profile : Shower gully channel approx 25mm & increasing to 30mm in Cross Section
- Waste & Trap 2x : Outlet DN 50mm: Trap 50mm Water Seal (options incl. 30mm & 35mm). See options
- Suitable Floor Covering : Natural Stone or Tile up to 18mm thick. Thicker materials optional, call for advice
- Installation Sealing Kit : See Easy Fix datasheet. Use with AquaeGUARDTM/ AquaeSEALTM Membranes
- Gradient : A floor gradient of max. 2.5% must be built into the surrounding floors

MATERIAL

- Gully Drain & Grate : 1.5mm thick 316 Stainless Steel (Marine Grade)
- Trap : ABS
- Install Kit : Easy Fix, See Datasheet

Revision - 8 September 2011

CAPACITY

The minimum factory rating is 1x 100% + 1x 50% (i.e 150%) of the individual trap capacity, and assumes the same trap body configuration is used on both traps. Potential max. rating is closer 200% of individual trap ratings. Call for details.

- Waste & Trap 50mm Seal : Horizontal (57 > 72 Ltrs/Min) location dependant
- Waste & Trap 35mm Seal : Horizontal (46.5 > 55.5 Ltrs/Min) location dependant
- Waste & Trap 30mm Seal : Horizontal (42 > 49.5 Ltrs/Min) location dependant

Other trap options are available. See datasheet

INSTALLATION INSTRUCTIONS

- See Separate Sheet : Included in Package

PACKAGING

- Cardboard Tube : to suit Shower floor drain

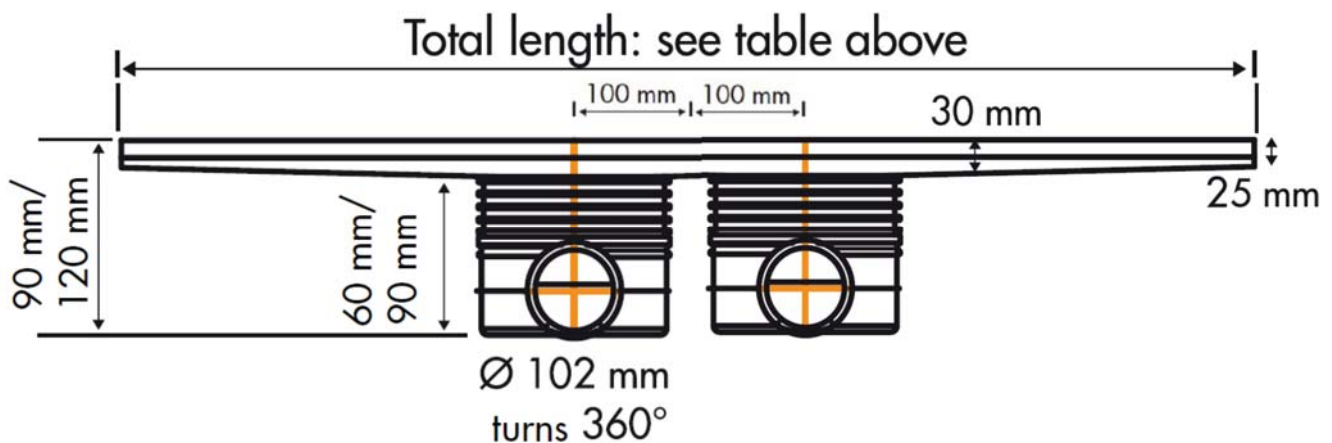
CONTENTS

Complete floor gully system supplied in a single tube

- Shower Gully Floor Drain
- Adjustable ABS Trap Housings x2 – Horizontal DN 50mm Outlet
- Trap Funnel & Dish Set x 2 – to create seal of 50mm, 35mm or 30mm
- Tile Insert Cover Grate, to suit tiles upto 12mm thick
- Adjustable Feet, & Earth Tag
- Shower floor drain installation instructions

SPECIFICATION – TEGEL DRAIN Linear shower floor drain in 316 Stainless Steel, 2x high flow traps with 360 degree outlet rotation accessed by removable grate with tile insert option & supporting adjustable stand

Range	Size	ART No.
MultiDUO™ TEGEL	500mm Shower Gully Floor Drain, 2x Outlet Traps c/w Tile Insert Grate	008 00133
MultiDUO™ TEGEL	600 mm Shower Gully Floor Drain, 2x Outlet Traps c/w Tile Insert Grate	008 00134
MultiDUO™ TEGEL	700 mm Shower Gully Floor Drain, 2x Outlet Traps c/w Tile Insert Grate	008 00135
MultiDUO™ TEGEL	800 mm Shower Gully Floor Drain, 2x Outlet Traps c/w Tile Insert Grate	008 00136
MultiDUO™ TEGEL	900 mm Shower Gully Floor Drain, 2x Outlet Traps c/w Tile Insert Grate	008 00137
MultiDUO™ TEGEL	1000 mm Shower Gully Floor Drain, 2x Outlet Traps c/w Tile Insert Grate	008 00138
MultiDUO™ TEGEL	1100 mm Shower Gully Floor Drain, 2x Outlet Traps c/w Tile Insert Grate	008 00139
MultiDUO™ TEGEL	1200 mm Shower Gully Floor Drain, 2x Outlet Traps c/w Tile Insert Grate	008 00140
MultiDUO™ TEGEL	1300 mm Shower Gully Floor Drain, 2x Outlet Traps c/w Tile Insert Grate	008 00141
MultiDUO™ TEGEL	1400 mm Shower Gully Floor Drain, 2x Outlet Traps c/w Tile Insert Grate	008 00142
MultiDUO™ TEGEL	1500 mm Shower Gully Floor Drain, 2x Outlet Traps c/w Tile Insert Grate	008 00143
MultiDUO™ TEGEL	1600 mm Shower Gully Floor Drain, 2x Outlet Traps c/w Tile Insert Grate	008 00144
MultiDUO™ TEGEL	1700 mm Shower Gully Floor Drain, 2x Outlet Traps c/w Tile Insert Grate	008 00145
MultiDUO™ TEGEL	1800 mm Shower Gully Floor Drain, 2x Outlet Traps c/w Tile Insert Grate	008 00146
MultiDUO™ TEGEL	1900 mm Shower Gully Floor Drain, 2x Outlet Traps c/w Tile Insert Grate	008 00147
MultiDUO™ TEGEL	2000 mm Shower Gully Floor Drain, 2x Outlet Traps c/w Tile Insert Grate	008 00148



E&OE

We reserve the right to alter & amend specifications without prior notice
 This is not a specification document & does not guarantee performance
 © Bathroom Engineering™ September 11