

Revision - 24 June 2011

TEGEL Drain - Linear Shower Channel

Made from Marine Grade Stainless Steel, this gully is designed for CONCRETE Floor Structures, but can also be fitted into Wood over Joist floors. With a central outlet, matched to the high flow rates from the MULTI Trap system, this high quality shower channel is easy to install. The special 'tile insert' grate is designed to be filled with sections of floor tile, resulting in a discrete channel hidden in the floor.

E&OE



PRODUCT CHARACTERISTICS

- Very high quality Marine Grade 316 Stainless Steel offers superior resistance to chemical attack, & is especially suitable for coastal installations
- Central outlet maximises collection potential across the width of the shower channel, while the trap assembly can be rotated through 360 degrees for easy connection, & offers 3x trap options with water seals of 50, 35 & 30mm
- Removable Height adjustable Stainless Steel grate is hollow, to insert matching floor tiles up to 12mm thick
- Comes with adjustable Dual Leg Set to effect levelling during installation, & earthing tags

APPLICATIONS

TEGEL Drain Shower Channels are wide collection vessels built into wet room showers floors & come various lengths. Suits:

- En-Suites – small bathrooms where space efficiency is at a premium
- High End Designer Bathrooms – Large sizes add to the feeling of space within a shower area
- Refurbishments & New Build
- Floor Structures – Designed for Concrete Floors. Can be used on Board over Timber Joist floors when fully supported. Call for advice.

TECHNICAL DATA

- Size Channel : 500, 600, 700, 800, 900, 1000, 1100, 1200, 1300 mm, 1400, 1500, 1600, 1700, 1800, 1900, 2000 mm
- Profile : Channel approx 25mm & increasing to 30mm in Cross Section
- Waste & Trap : Outlet DN 50mm: Trap 50mm Water Seal (options incl. 30mm & 35mm)
- Installation Sealing Kit : NONE
Option - See AquaeGUARD[™]/ AquaeSEAL[™] Waterproof Membrane Data Sheets
- Gradient : A floor gradient of max. 2.5% must be built into the surrounding floors

MATERIAL

- Channel & Grate : 1.5mm thick 316 Stainless Steel (Marine Grade)
- Trap : ABS
- Install Kit : N/A - See AquaeGUARD[™]/ AquaeSEAL[™] Waterproof Membrane Data Sheets

Revision - 24 June 2011

CAPACITY

- Waste & Trap 50mm Seal : Horizontal (38 > 48 Ltrs/Min) location dependant
- Waste & Trap 35mm Seal : Horizontal (31 > 37 Ltrs/Min) location dependant
- Waste & Trap 30mm Seal : Horizontal (28 > 30 Ltrs/Min) location dependant
- MULTIPLE OUTLETS : Horizontal (.2x outlet...to 72 Ltrs/Min) location dependant. Special Order Only

INSTALLATION INSTRUCTIONS

- See Separate Sheet : Included in Package

PACKAGING

- Cardboard Tube : to suit Shower Channel

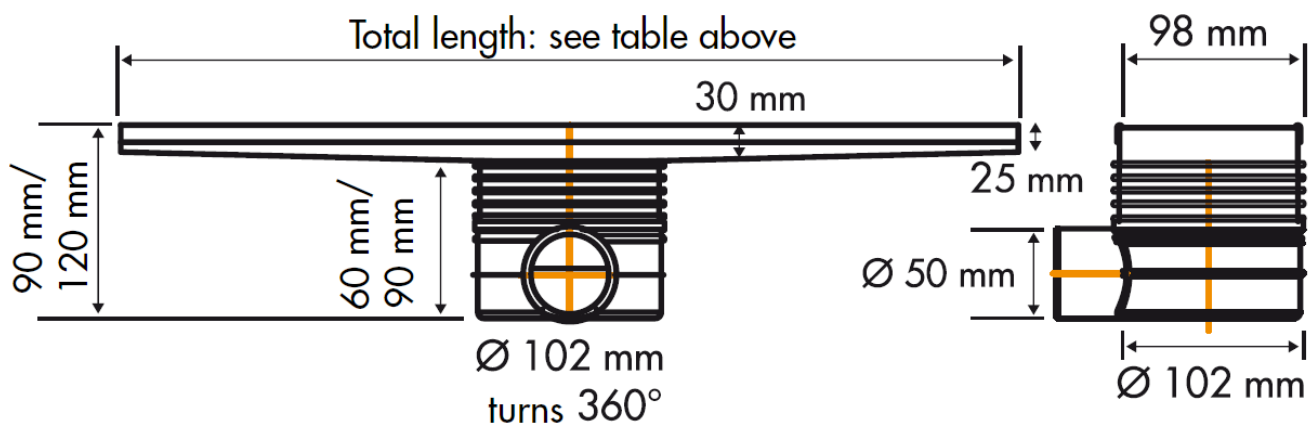
CONTENTS

Supplied in Single Tube

- Shower Channel
- Adjustable ABS Trap Housing – Horizontal DN 50mm Outlet
- Trap Funnel & Dish – to create seal of 50mm, 35mm & 30mm
- Tile Insert Cover Grate, to suit tiles upto 12mm thick
- Adjustable Feet, & Earthing Tag
- Installation Instructions

SPECIFICATION – TEGEL DRAIN Linear shower channel in 316 S/Steel with high flow trap offering 360 degree outlet rotation accessed by removable grate with tile insert option & supporting adjustable stand

Range	Size	ART No.
TEGEL Drain	500 Long Channel & Trap c/w Tile Insert Grate	008.00250
TEGEL Drain	600 Long Channel & Trap c/w Tile Insert Grate	008.00251
TEGEL Drain	700 Long Channel & Trap c/w Tile Insert Grate	008.00252
TEGEL Drain	800 Long Channel & Trap c/w Tile Insert Grate	008.00253
TEGEL Drain	900 Long Channel & Trap c/w Tile Insert Grate	008.00254
TEGEL Drain	1000 Long Channel & Trap c/w Tile Insert Grate	008.00255
TEGEL Drain	1100 Long Channel & Trap c/w Tile Insert Grate	008.00256
TEGEL Drain	1200 Long Channel & Trap c/w Tile Insert Grate	008.00257
TEGEL Drain	1300 Long Channel & Trap c/w Tile Insert Grate	008.00234
TEGEL Drain	1400 Long Channel & Trap c/w Tile Insert Grate	008.00235
TEGEL Drain	1500 Long Channel & Trap c/w Tile Insert Grate	008.00236
TEGEL Drain	1600 Long Channel & Trap c/w Tile Insert Grate	008.00237
TEGEL Drain	1700 Long Channel & Trap c/w Tile Insert Grate	008.00238
TEGEL Drain	1800 Long Channel & Trap c/w Tile Insert Grate	008.00239
TEGEL Drain	1900 Long Channel & Trap c/w Tile Insert Grate	008.00240
TEGEL Drain	2000 Long Channel & Trap c/w Tile Insert Grate	008.00241



E&OE

We reserve the right to alter & amend specifications without prior notice
 This is not a specification document & does not guarantee performance
 © Bathroom Engineering™ May 11