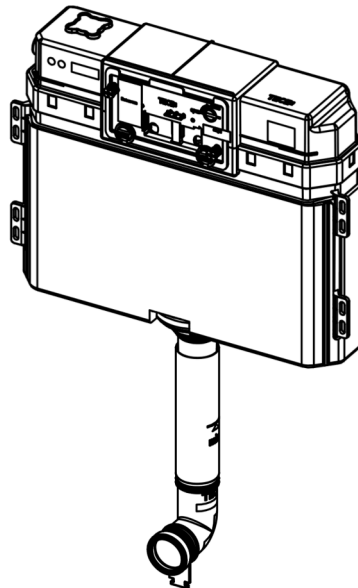


Issued - 4 August 2015

TECEbox UK Concealed WC Cistern, 1120mm

Engineered in Germany, a WRAS Approved cistern concealed to hide the supply, storage & control mechanisms used to supply water to Floor Standing / Back to Wall WC's. Matches wide range of contemporary Control Plate designs actuated to the front. Simple to fit, premium quality cisterns with a 'fit & forget' warranty. Supplied with fittings & instructions. E&OE

Certificate Nr. 1405374



WELL Home
 Water Efficiency Label

Manufacturer: TECE GmbH
 Product category: WC flush system
 Type: Flushing cistern
 Model: Wandeinbau-Spülkasten
 Registration number: WS10575-20130219



Water Efficiency Criteria

Flush volume 6,0 l	*
Flush volume 5,0 / 4,0 l	**
With flush stop function	*
Dual flushing	**

Information about use and installation: www.well-online.eu
 A Label of EUnited Valves
 European Valve Manufacturers Association

APPLICATIONS

TECEbox UK 1120mm universal concealed cistern suitable for fixing within walls & ducts to supply flushing water to Floor Standing / Back to Wall WC's in en-suites, cloakrooms & other bathroom projects where WC Pans are fitted on the floor. Suitable for :

- All common construction systems, in domestic, commercial, industrial & institutional new build or refurbishment projects
- Small or large bathrooms, where space is at a premium, while ease of cleaning & sleek design is a priority
- Rapid, secure fitting of cistern allows universal connection to WC's from all major brands
- Fixed within a drywall / studwork frame (room height), within a duct or in front of solid walls & subsequently hidden with wall boards, tightly fixed to a framework, to conceal cistern, pipe-work, & control mechanisms.
- Can be used with 'grey' rainwater recycling systems when adequately filtered

PRODUCT CHARACTERISTICS & KEY FEATURES

- TECEbox UK concealed cistern 1120mm, (WRAS Approval Nr. 1405374) with front access panel & control mechanism meets or exceeds common standards
- 1120 mm height allows cistern controls to be accessible with most common seat / lids in a raised position
- Matching range of front mounted, slim-line, single or dual flush, contemporary Control Plates suit all concealed cisterns, & act as a removable cover for easy maintenance access to internal workings
- Instant, tool free removal of complete Control & Service Assembly, incl. unique transparent splash guard
- Factory fitted cistern components incl. stop valve, hose, quick-to-service flush valve, & fast flowing ultra quiet (<17dB) Fill Valve, pre-fitted & quality control sealed before dispatch
- Wall brackets offer simple installation & adjustment to reduce errors & improve final installation quality
- Universal ½" water supply connection, to top or side reduces supply pipe installation time
- Suits all common floor standing & back to wall WC pans
- Cistern with factory fit insulation, reducing fill / flush noise & fights condensation
- Flush Volume : Factory Setting - 6ltr / 3ltr flush; Instant User Setting - 4.5ltr / 3ltr or lower (4.0 / 2.6 possible)*
- 10 litre polymer cistern, with 'Reserve Tank' facility offers extra rinse, even immediately after a full flush
- Unique 'throttle' control system can adjust flush performance to suit low flush volume & 'rimless' WC's

Issued - 4 August 2015

TECHNICAL DATA

- **SIZE, Height** : 771mm
 - **SIZE, Width x Depth** : 500mm x 139mm
 - **SIZE, Installation 'Rough-In' Template** : 188mm x 111mm, finished wall thickness 20mm > 90mm
 - **MATERIAL, Isolation & Control Valve** : Brass, ½" inlet connection & reinforced hose in Stainless Steel
 - **MATERIAL, Cisterns** : Rotary moulded polymer, flush pipe welded to tank
 - **CAPACITY, Tank** : 10 Litres, with "Reserve Tank" facility
 - **CAPACITY, Flushing** : Ex. Factory : 6.0~3.0 Litres, Eco adjustable : 4.0~2.5 litres (or less*)
 - **INLET FLOW PRESSURE** : 0.1 Bar minimum
 - **CONTROL Plates (TECEprofil)** : ALL PLATES suit ALL MODELS (separate order, see Datasheet)
 - **TESTING & APPROVAL** : Tested to over 200,000 cycles, WRAS, DIN EN 14055, WELL Label – Class 'A' Water Efficiency, LGA, KIWA,
- Only for WC pans designed for low volume flushing. Contact Sales Office for latest specifications & Information

OPTIONAL EXTRA'S

(see separate data sheets)

- : Cleaning Tablet Insert Chute
- : Control Plates in 100's of design & finish combinations
- : Unique Lever Control Plates & finish customisation options

CONTENTS

Supplied in Single BOX (N.B. order Push or Lever Control Plates separately)

- TECE concealed cistern with Front or Top Access
- Fill & Flush Valves, Angle Stop Valve, Connection Hose, 'Rough-In' Template, Transparent Access Covers
- WC Connection Set incl. Flush Pipe Extension, Flush Pipe Sealing Collar
- Wall Fixing Brackets
- Installation Instructions

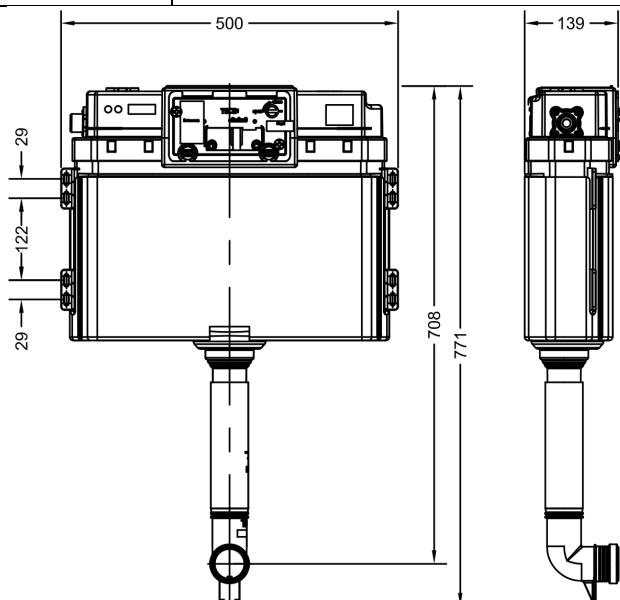
PACKAGING

- Cardboard Box :
- Disposal : According to local bylaws

SPECIFICATION CLAUSE

TECEbox UK 1120mm Concealed Cistern, with 10 litre cistern tank capacity, factory fitted & quality control sealed fill & flush components behind transparent splash guards fitted to front to match control plate, with access to 'throttle control' system, WRAS Approval Certificate Nr. 1405374

Range	Size	ART No.
TECEbox UK	1120mm Cistern for Floor Standing / Back to Wall WC, WRAS Approved	FF 9041 036



E&OE
 We reserve the right to alter & amend specifications without prior notice
 This is not a specification document & does not guarantee performance

© Bathroom EngineeringTM
 August 15