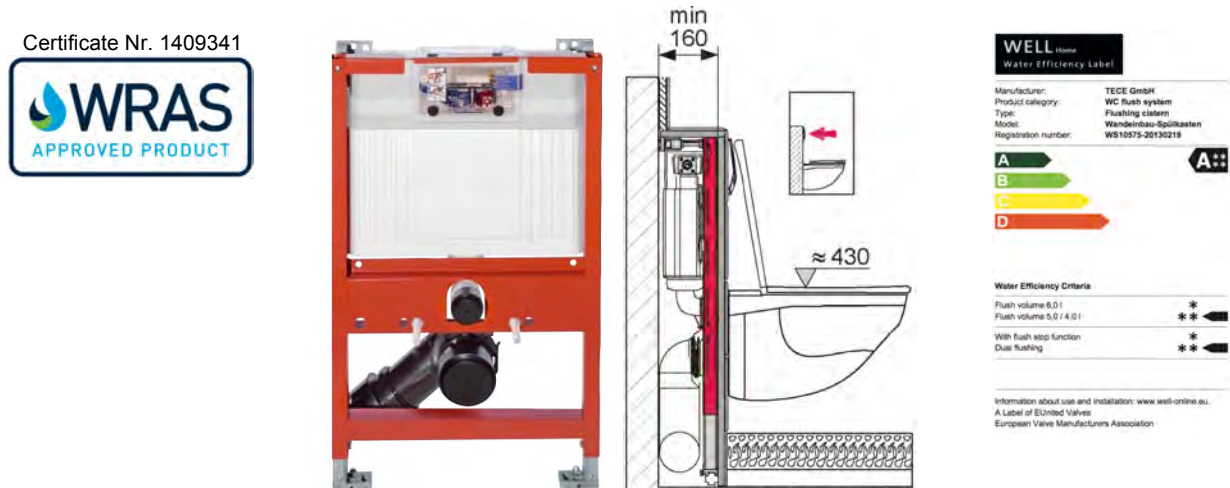


Issued - 4 August 2015

### TECEprofil 820mm WC Cistern & Frame

Engineered in Germany, a WRAS Approved 'low level' installation system for Wall Hung WC's with extra rigid frame & "plug 'n' play" cistern, to fit in front of walls. Matches wide range of contemporary Control Plate designs actuated front or top. Ultra quick to fit, premium quality frames with a 'fit & forget' warranty. Supplied with all fittings & instructions.

E&OE



### APPLICATIONS

TECEprofil universal 'low level' load bearing installation system suitable for fixing Wall Hung WC's in en-suites, cloakrooms & other bathroom projects where WC Pans are required off the floor. Suitable for :

- All common construction systems, in domestic, commercial, industrial & institutional new build or refurbishment projects
- Small or large bathrooms, where space is at a premium, while ease of cleaning & sleek design is a priority
- Rapid, secure fitting of wall hung WC's from major brands with universal fixing of 180mm & 230mm centres
- Fixing within a drywall / studwork frame (room height) or in front of solid walls, & common floor structures
- Wall boards, tightly fixed to the frame, conceal the frame, cistern & all pipe-work, and are ready to finish
- Can be used with 'grey' rainwater recycling systems when adequately filtered

### PRODUCT CHARACTERISTICS & KEY FEATURES

- Low level TECEprofil WC Installation Frame 820mm, fits below windows (WRAS Approval Nr. 1409341) with TECE concealed cistern, front/top access panel & control mechanism meets or exceeds common standards
- Matching range of front or top mounted, slim-line, single or dual flush, contemporary Control Plates suit all concealed cisterns, & act as a removable cover for easy maintenance access to internal workings
- Instant, tool free removal of complete Control & Service Assembly, incl. unique transparent splash guard
- Factory fitted cistern components incl. stop valve, hose, quick-to-service flush valve, & fast flowing ultra quiet (<17dB) Fill Valve, pre-fitted & quality control sealed before dispatch
- Designed & tested (DIN EN 14055) to support over 400kg, TECEprofil WC Installation Frames have a box section to resist flexing & mis-alignment found in C section frames, finished in red powder coat
- Tool free assembly, installation & adjustment of cistern components cuts errors & improves install quality
- Step-less height adjustment (0+200mm) of alloy fixing feet with self locking brakes eases installation by 1x person, & allows for un-even floors or concrete screeds flowing around the adjustable feet.
- Universal ½" water supply connection, to top or side reduces supply pipe installation time
- With Premium Wall Brackets (min. 160mm duct). Contract Wall Brackets available on request
- Suits all common WC pans, incl. those with shallow profile contact surfaces (accessory required)
- Cistern with factory fit insulation, is isolated from frame, reducing fill / flush noise & fights condensation
- Flush Volume : Factory Setting - 6ltr / 3ltr flush; Instant User Setting - 4.5ltr / 3ltr or lower (4.0 / 2.6 possible)\*
- 10 litre polymer cistern, with 'Reserve Tank' facility offers extra rinse, even immediately after a full flush
- Unique 'throttle' control system can adjust flush performance to suit low flush volume & 'rimless' WC's

Issued - 4 August 2015

**TECHNICAL DATA**

- SIZE, Height : 820mm (+/- 200mm)
- SIZE, Width x Depth : 500mm x 150mm Max (front of frame)
- SIZE, Installation 'Rough-In' Template : 188mm x 111mm, finished wall thickness 20mm > 90mm
- MATERIAL, Frame : Box section 40mm deep, steel, powder coated RED
- MATERIAL, Isolation & Control Valve : Brass, ½" inlet connection & reinforced hose in Stainless Steel
- MATERIAL, Cisterns : Rotary moulded polymer, flush pipe welded to tank
- CAPACITY, Tank : 10 Litres, with "Reserve Tank" facility
- CAPACITY, Flushing : Ex. Factory : 6.0~3.0 Litres, Eco adjustable : 4.0~2.5 litres (or less\*)
- INLET FLOW PRESSURE : 0.1 Bar minimum
- CONTROL Plates (TECEprofil) : ALL PLATES suit ALL MODELS (separate order, see Datasheet)
- TESTING & APPROVAL : Tested to over 200,000 cycles, WRAS, DIN EN 14055,  
: WELL Label – Class 'A' Water Efficiency, LGA, KIWA,

\* Only for WC pans designed for low volume flushing. Contact Sales Office for latest specifications & Information

**OPTIONAL EXTRA'S**

(see separate data sheets)

- : Cleaning Tablet Insert Chute
- : Control Plates in 100's of design & finish combinations
- : Extra service connections incl. air extraction & electricity
- : Corner Wall Brackets, Contract Brackets, HTM64 type supports
- : Unique Lever Control Plates & finish customisation options

**CONTENTS**

Supplied in Single BOX (N.B. order Push or Lever Control Plates separately)

- TECE self supporting, load bearing Installation Frame, with concealed cistern, & adjustable feet
- Fill & Flush Valves, Angle Stop Valve, Connection Hose, 'Rough-In' Template, Transparent Access Cover
- WC Connection Set incl. Flush Pipe, Outlet Pipe Elbow, & 90/110 Waste Pipe Adaptor
- Wall Fixing Brackets, Flush & Outlet Pipe Blanking Pieces, WC Securing Studs & Nuts, Finishing Caps
- Installation Instructions, Full Size Installation template on box

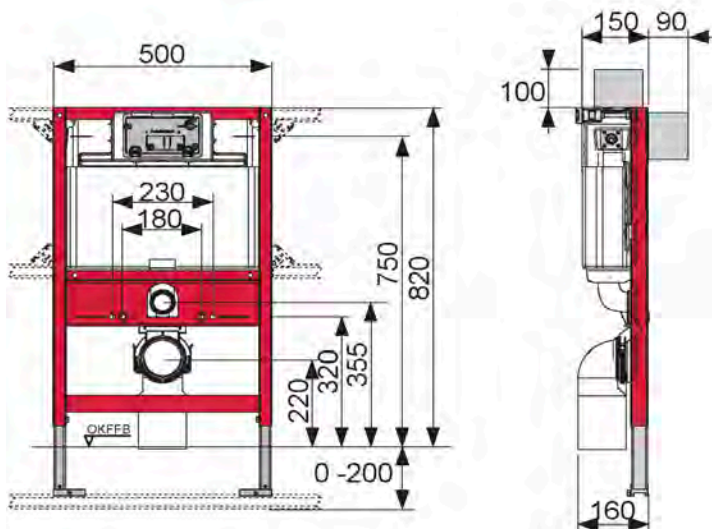
**PACKAGING**

- Single Items, Heavy Duty Box : Size : 840mm x 520mm x 180mm
- Disposal : According to local bylaws

**SPECIFICATION CLAUSE**

TECEprofil 820mm WC Installation Frame in RED powder coat, with 10 litre polymer cistern tank, factory fitted & quality control sealed fill & flush components behind transparent splash guard fitted to front & top to matching control plate, with access to 'throttle control' system, WRAS Approval Certificate Nr. 1409341

Range	Size	ART No.
TECEprofil	820mm Wall Hung WC Installation System, WRAS Approved	FF9300078



E&OE  
We reserve the right to alter & amend specifications without prior notice  
This is not a specification document & does not guarantee performance

© Bathroom Engineering™  
June 19