

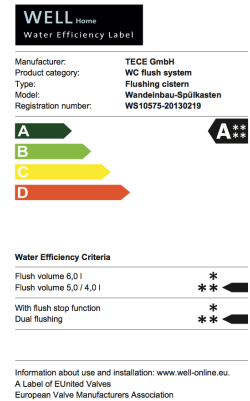
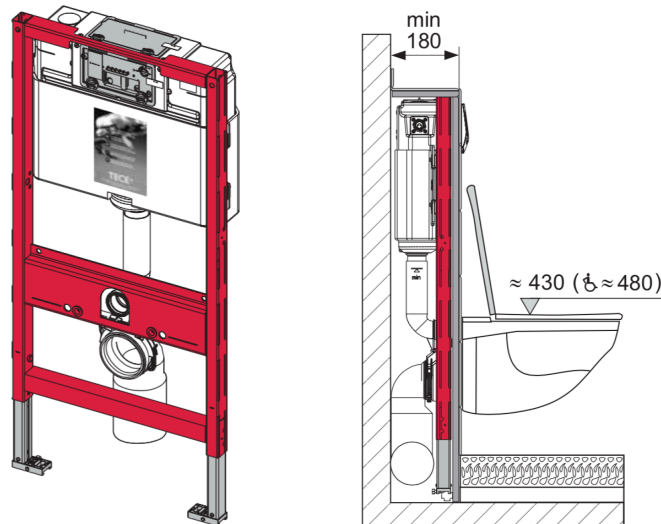
Issued - 17 March 2020

### **TECEprofil 980mm WC Cistern & Frame**

Engineered in Germany, a 'low level' installation system for Wall Hung WC's with extra rigid frame & "plug 'n' play" cistern, to fit in front of walls. Matches wide range of contemporary Control Plate designs actuated at the top or front.

Ultra quick to fit, premium quality frames with a 'fit & forget' warranty. Supplied with all fittings & instructions.

E&OE



### **APPLICATIONS**

TECEprofil universal medium level load bearing installation system suitable for fixing Wall Hung WC's in en-suites, cloakrooms & other bathroom projects where WC Pans are required off the floor. Suitable for :

- All common construction systems, in domestic, commercial, industrial & institutional new build or refurbishment projects
- Small or large bathrooms, where space is at a premium, while ease of cleaning & sleek design is a priority
- Rapid, secure fitting of wall hung WC's from major brands with universal fixing of 180mm & 230mm centres
- Fixing within a drywall / studwork frame (room height) or in front of solid walls, & common floor structures
- Wall boards, tightly fixed to the frame, conceal the frame, cistern & all pipe-work, and are ready to finish
- Can be used with 'grey' rainwater recycling systems when adequately filtered

### **PRODUCT CHARACTERISTICS & KEY FEATURES**

- TECEprofil WC Cistern Frame 980mm high, with TECE concealed cistern, access panel & control mechanism that meets or exceeds all common standards
- Matching range of front or top mounted, slim-line, single or dual flush, contemporary Control Plates suit all concealed cisterns, & act as a removable cover for easy maintenance access to internal workings
- Instant, tool free removal of complete Control & Service Assembly, incl. unique transparent splash guard
- Factory fitted cistern components incl. stop valve, hose, quick-to-service flush valve, & fast flowing ultra quiet (<17dB) fast Fill Valve, pre-fitted & quality control sealed before dispatch
- Designed & tested (DIN EN 14055) to support over 400kg, TECEprofil WC Installation Frames have a box section to resist flexing & mis-alignment found in C section frames, finished in red powder coat
- Tool free assembly, installation & adjustment of cistern components cuts errors & improves install quality
- Step-less height adjustment (0+200mm) of alloy fixing feet with self locking brakes eases installation by 1x person, & allows for un-even floors or concrete screeds flowing around the adjustable feet.
- Universal ½" water supply connection, to top or side reduces time needed for supply pipe installation
- With premium wall fixing brackets (min. 160mm duct). Contract Wall Brackets available on request
- Suits all common WC pans, incl. those with shallow profile contact surfaces (accessory required)
- Cistern with factory fit insulation, is isolated from frame, reducing fill / flush noise & fights condensation
- Flush Volume : Factory Setting - 6ltr / 3ltr flush; Instant User Setting - 4.5ltr / 3ltr or lower (4.0 / 2.6 possible)\*
- 10 litre polymer cistern, with 'Reserve Tank' facility offers extra rinse, even immediately after a full flush
- Unique 'throttle' control system adjusts flush performance to suit low flush volume & 'rimless' WC's (Optional Accessory)



Issued - 17 March 2020

**TECHNICAL DATA**

- SIZE, Height : 980mm (+0 > 200mm)
- SIZE, Width x Depth : 500mm x 150mm Max (front of frame)
- SIZE, Installation 'Rough-In' Template : 188mm x 111mm, finished wall thickness 20mm > 90mm
- MATERIAL, Frame : Box section 40mm deep, steel, powder coated RED
- MATERIAL, Isolation & Control Valve : Brass, 1/2" inlet connection & reinforced hose in Stainless Steel
- MATERIAL, Cisterns : Rotary moulded polymer
- CAPACITY, Tank : 10 Litres, with "Reserve Tank" facility
- CAPACITY, Flushing : Ex. Factory : 6.0~3.0 Litres, Eco adjustable : 4.0~2.5 litres (or less\*)
- INLET FLOW PRESSURE : 0.1 Bar minimum
- CONTROL Plates (TECEprofil) : ALL PLATES suit ALL MODELS (separate order, see Datasheet)
- TESTING & APPROVAL : Tested to over 200,000 cycles, DIN EN 14055,  
: WELL Label – Class 'A' Water Efficiency, LGA, KIWA,

\* Only for WC pans designed for low volume flushing. Contact Sales Office for latest specifications & Information

**OPTIONAL EXTRA'S**

(see separate data sheets)

- : Cleaning Tablet Insert Chute
- : Control Plates in 100's of design & finish combinations
- : Extra service connections incl. air extraction & electricity
- : Corner Wall Brackets, Contract Brackets, HTM64 type supports
- : Unique Lever Control Plates & finish customisation options

**CONTENTS**

Supplied in Single BOX (N.B. order Push or Lever Control Plates separately)

- TECE self supporting, load bearing Installation Frame, with concealed cistern, & adjustable feet
- Fill & Flush Valves, Angle Stop Valve, Connection Hose, 'Rough-In' Template, Transparent Access Cover
- WC Connection Set incl. Flush Pipe, Outlet Pipe Elbow, & 90/110 Waste Pipe Adaptor
- Wall Fixing Brackets, Flush & Outlet Pipe Blanking Pieces, WC Securing Studs & Nuts, Finishing Caps
- Installation Instructions, Full Size Installation template on box

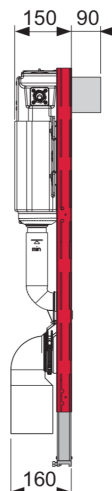
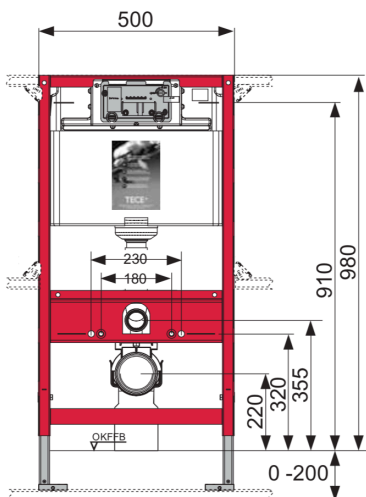
**PACKAGING**

- Single Items, Heavy Duty Box : Size : 1020mm x 520mm x 155mm
- Disposal : According to local bylaws

**SPECIFICATION CLAUSE**

TECEprofil 980mm WC Installation Frame in RED powder coat, with 10 litre polymer cistern tank, factory fitted & quality control sealed fill & flush components behind transparent splash guard fitted to front & top to match control, and offer access to internals inc. 'throttle control' system

Range	Description & Size	Art. No.
TECEprofil Cistern Frame	980mm Wall Hung WC Installation System	FF9300022



E&OE  
We reserve the right to alter & amend specifications without prior notice  
This is not a specification document & does not guarantee performance

© Bathroom Engineering™  
March 20

